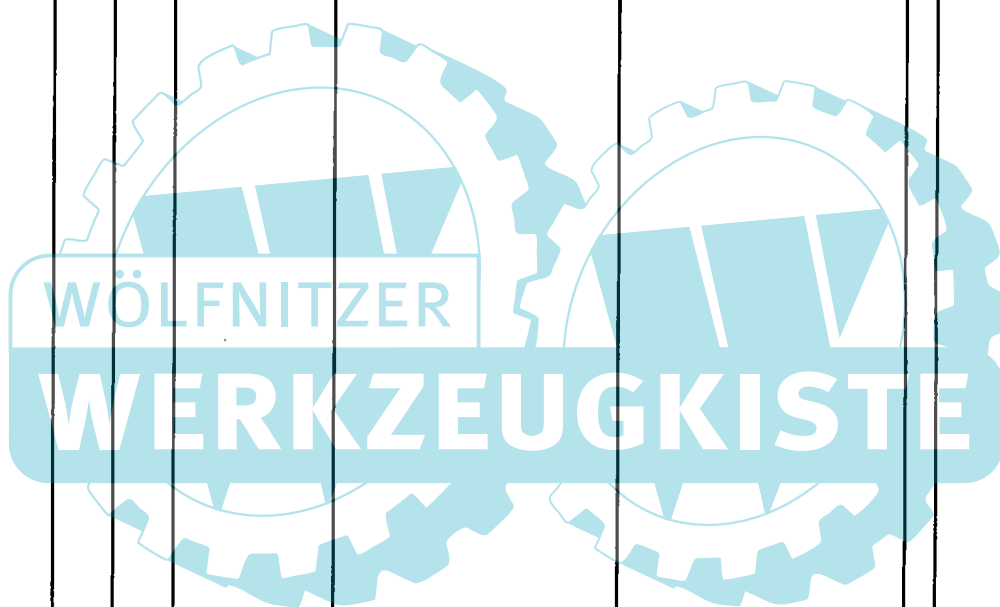
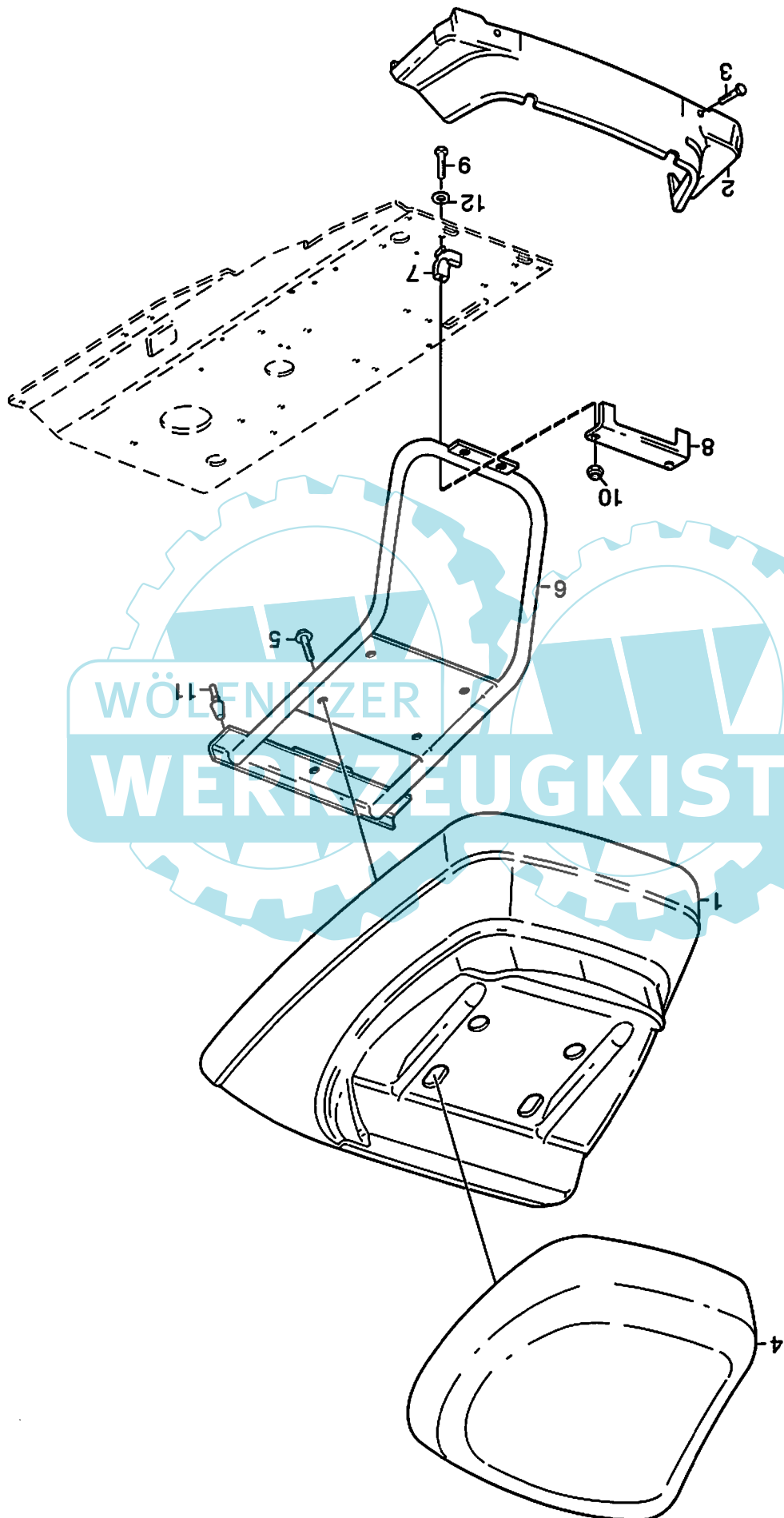
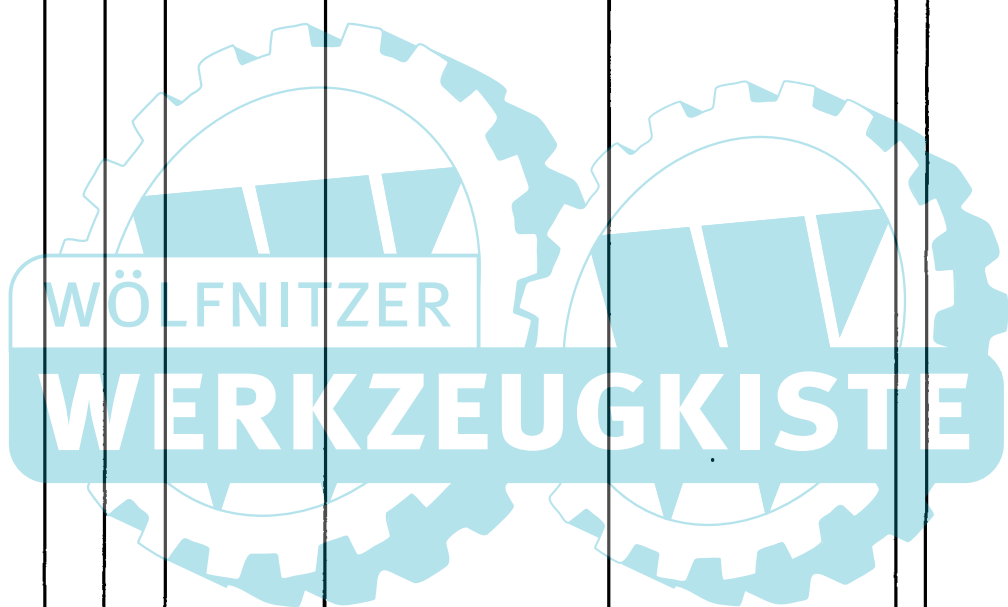


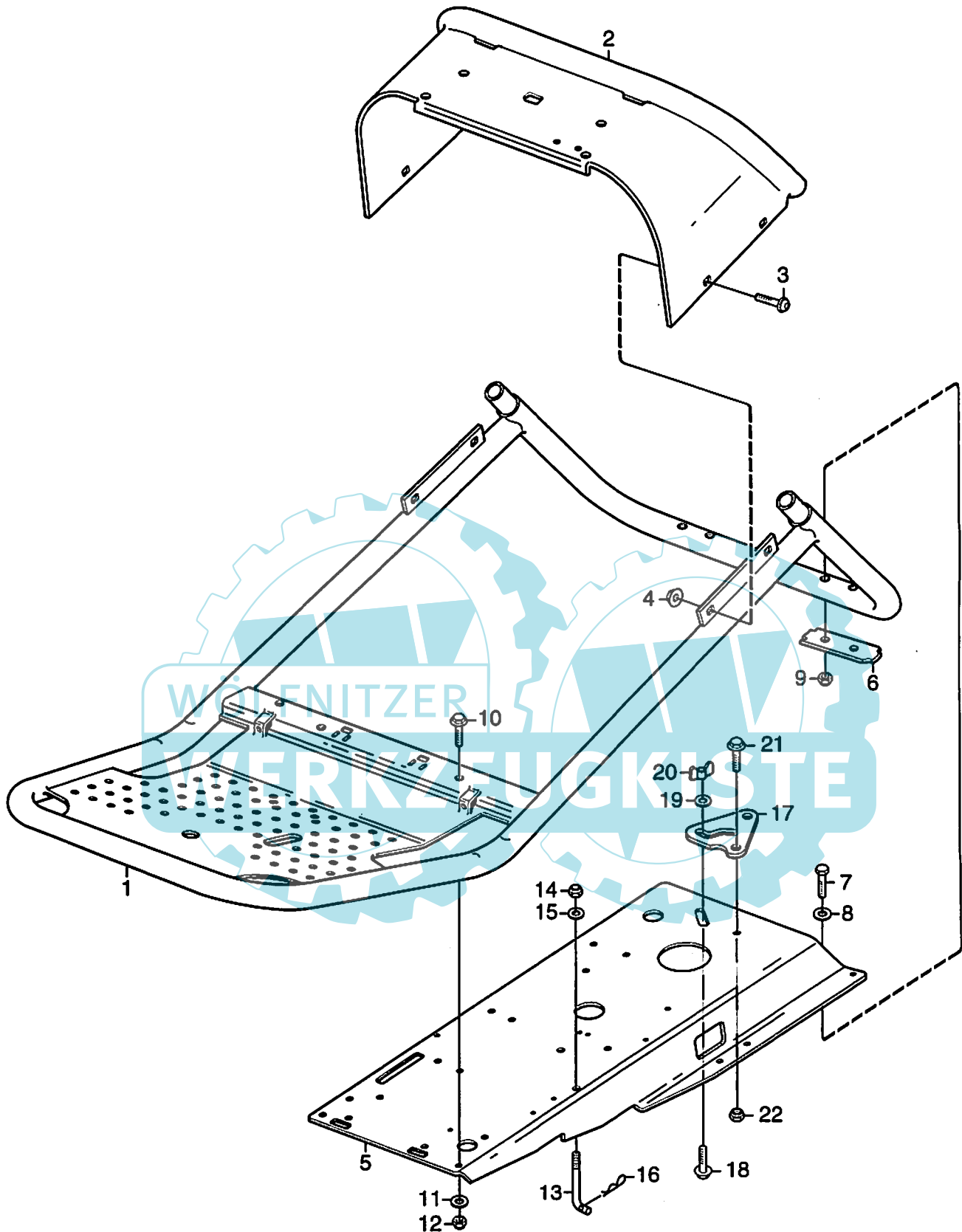
| Ausgabe Issue | | Bild Nr. Picture No | | VARIOLUX 65AME ZUBEHÖRTEILE | | VARIOLUX 65AME ACCESSORY BAG | | Seite Page | |
|------------------|-----------------|------------------------|--|--------------------------------|-------------------------|---------------------------------|-------------|--------------------|--|
| 2000-1 | | B031 | | | | | | 38 | |
| Pos. Fig. | Anzahl/Quantity | | | Artikel Nr. Part No | Bezeichnung | Description | Satz Kit | Anmerkung Notes | |
| | 2244 | | | | | | | | |
| X | 0 | 1 | | 1134-4278-01 | Zubehörsack kompl | Accessory bag assy | | | |
| | 1 | 1 | | 1134-0341-01 | • Scheibe | • Washer | | 1.5 mm | |
| | 2 | 1 | | 1134-0341-02 | • Scheibe | • Washer | | 0.5 mm | |
| | 3 | 1 | | 1111-1238-01 | • Trichter | • Funnel | | | |
| X | 4 | 2 | | 1134-4373-01 | • Strebe | • Bag bar | | | |
| | 5 | 4 | | 9997-0630-12 | • Schraube | • Screw | | | |
| | 6 | 4 | | 9747-0631-02 | • Mutter | • Lock nut | | | |
| X | 7 | 2 | | 1134-4096-01 | • Zündschlüssel | • Ignition key | | | |



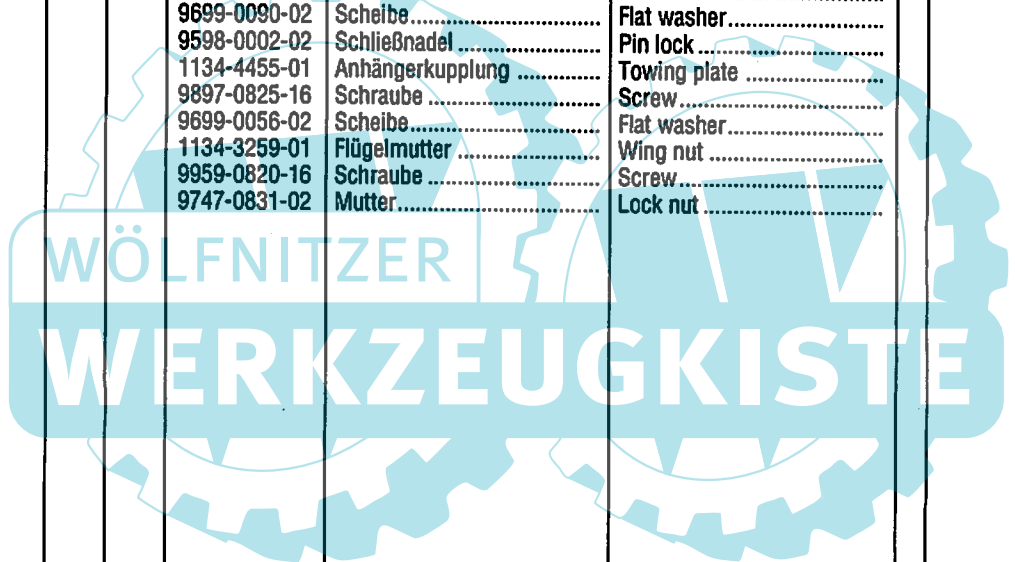


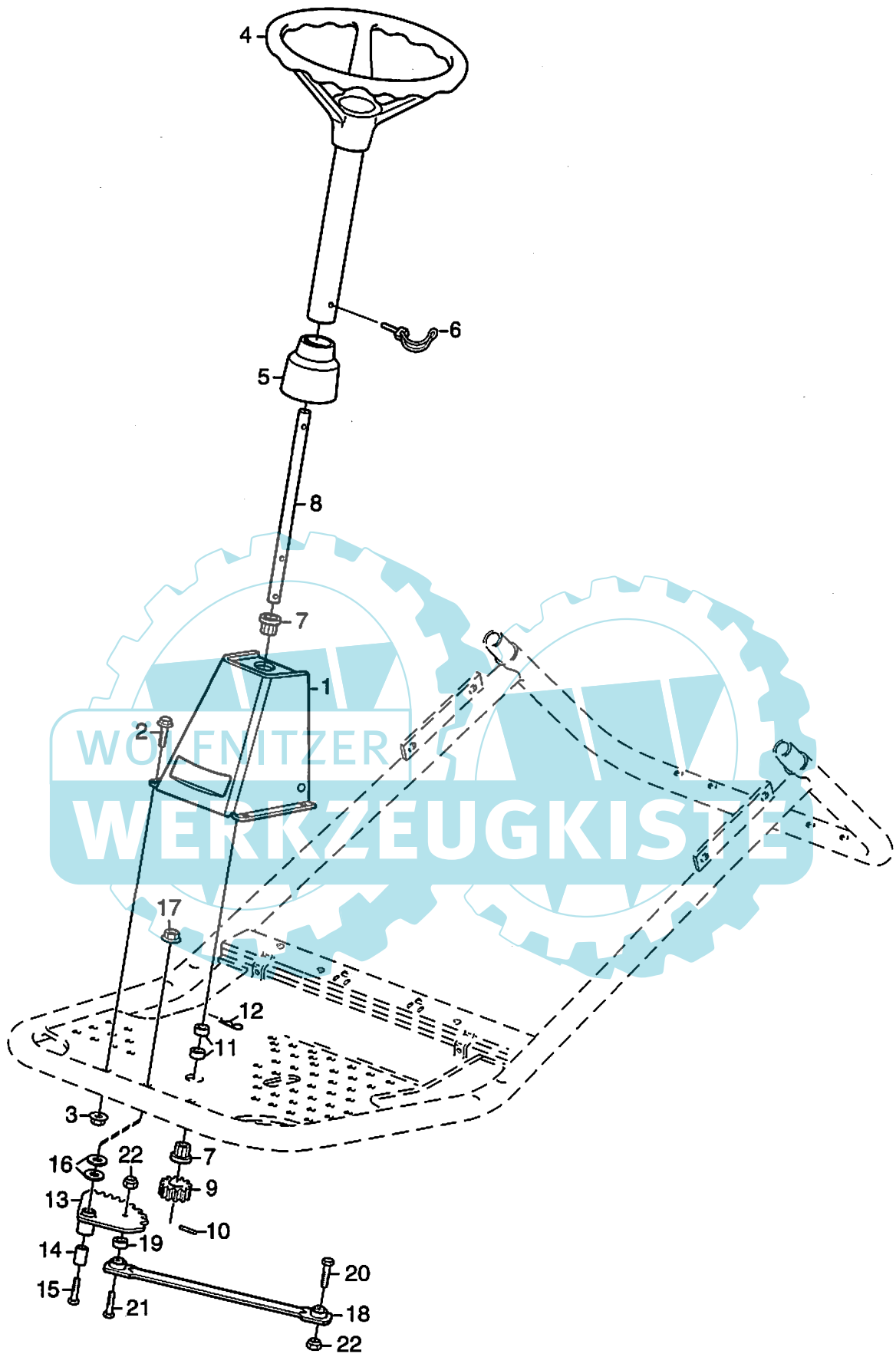
| Ausgabe Issue 2000-1 | | Bild Nr. Picture No B032 | | VARIOLUX 65AME KAROSSE SITZ | | VARIOLUX 65AME BODY WORK SEAT | | Seite Page 40 | |
|----------------------------|-----------------|--------------------------------|--|-----------------------------------|------------------|-------------------------------------|-------------|---------------------|--|
| Pos. Fig. | Anzahl/Quantity | | | Artikel Nr. Part No | Bezeichnung | Description | Satz Kit | Anmerkung Notes | |
| | 2244 | | | | | | | | |
| X | 1 | 1 | | 1134-4349-01 | Sitzhaube | Seat cover | | | |
| X | 2 | 1 | | 1134-4350-01 | Panel | Panel | | | |
| X | 3 | 3 | | 9893-0616-16 | Schraube | Screw | | | |
| X | 4 | 1 | | 1134-4351-01 | Sitz | Seat | | | |
| X | 5 | 4 | | 9959-0820-16 | Schraube | Screw | | | |
| X | 6 | 1 | | 1134-4386-01 | Sitzrahmen | Seat frame | | | |
| X | 7 | 2 | | 1134-4358-01 | Rohrhalter | Tube holder | | | |
| X | 8 | 1 | | 1134-4359-01 | Rohrblech | Tube plate | | | |
| | 9 | 2 | | 9997-0650-12 | Schraube | Screw | | | |
| | 10 | 2 | | 9747-0631-02 | Mutter | Lock nut | | | |
| | 11 | 2 | | 1134-3134-01 | Gummifeder | Rubber spring | | | |
| | 12 | 2 | | 9699-0060-02 | Scheibe | Flat washer | | | |





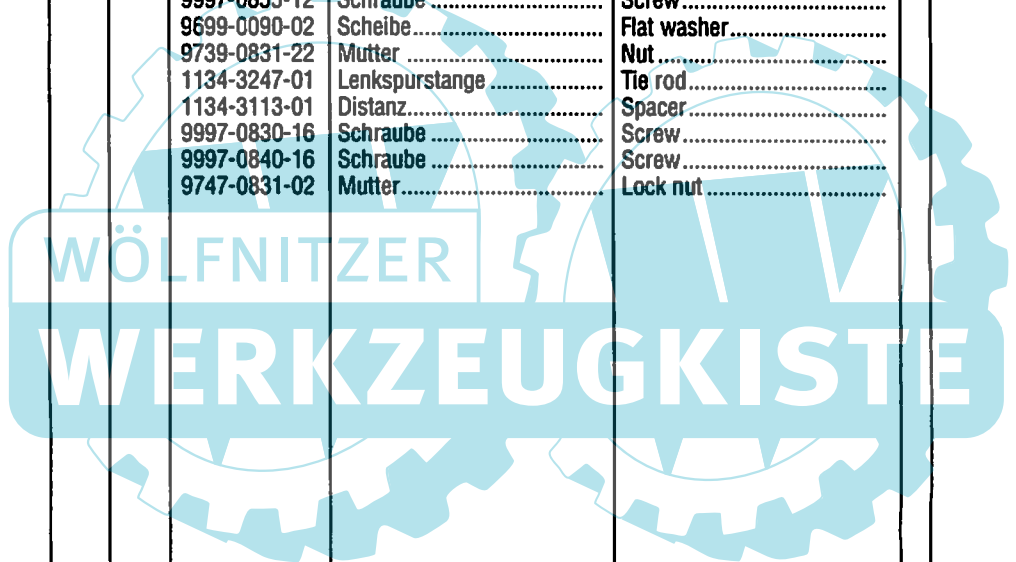
| Ausgabe Issue | | Bild Nr. Picture No | | VARIOLUX 65AME RAHMEN | | VARIOLUX 65AME FRAME | | Seite Page | |
|------------------|-----------------|------------------------|--|--------------------------|--------------------------|---------------------------|-------------|--------------------|--|
| 2000-1 | | B033 | | | | | | 42 | |
| Pos. Fig. | Anzahl/Quantity | | | Artikel Nr. Part No | Bezeichnung | Description | Satz Kit | Anmerkung Notes | |
| | 2244 | | | | | | | | |
| X | 1 | 1 | | 1134-4380-01 | Rohrrahmen-vordere | Tubular frame-front | | | |
| X | 2 | 1 | | 1134-4379-01 | Rohrrahmen-obere | Tubular frame-top | | | |
| | 3 | 4 | | 9898-0820-16 | Schraube | Screw | | | |
| | 4 | 4 | | 9739-0831-22 | Mutter | Nut | | | |
| X | 5 | 1 | | 1134-4371-01 | Motorplatte | Engine plate | | | |
| | 6 | 2 | | 1134-3165-01 | Rohrplatte | Tube plate | | | |
| | 7 | 4 | | 9997-0860-16 | Schraube | Screw | | | |
| | 8 | 4 | | 9699-0090-02 | Scheibe | Flat washer | | | |
| | 9 | 4 | | 9747-0831-02 | Mutter | Lock nut | | | |
| | 10 | 2 | | 9959-0820-16 | Schraube | Screw | | | |
| | 11 | 2 | | 9699-0090-02 | Scheibe | Flat washer | | | |
| | 12 | 2 | | 9747-0831-02 | Mutter | Lock nut | | | |
| | 13 | 2 | | 1134-3133-01 | Aufhängerwinkel | Angle bracket | | | |
| | 14 | 2 | | 9747-0831-02 | Mutter | Lock nut | | | |
| | 15 | 2 | | 9699-0090-02 | Scheibe | Flat washer | | | |
| | 16 | 3 | | 9598-0002-02 | Schließnadel | Pin lock | | | |
| X | 17 | 1 | | 1134-4455-01 | Anhängerkupplung | Towing plate | | | |
| X | 18 | 1 | | 9897-0825-16 | Schraube | Screw | | | |
| | 19 | 1 | | 9699-0056-02 | Scheibe | Flat washer | | | |
| | 20 | 1 | | 1134-3259-01 | Flügelmutter | Wing nut | | | |
| | 21 | 1 | | 9959-0820-16 | Schraube | Screw | | | |
| | 22 | 1 | | 9747-0831-02 | Mutter | Lock nut | | | |

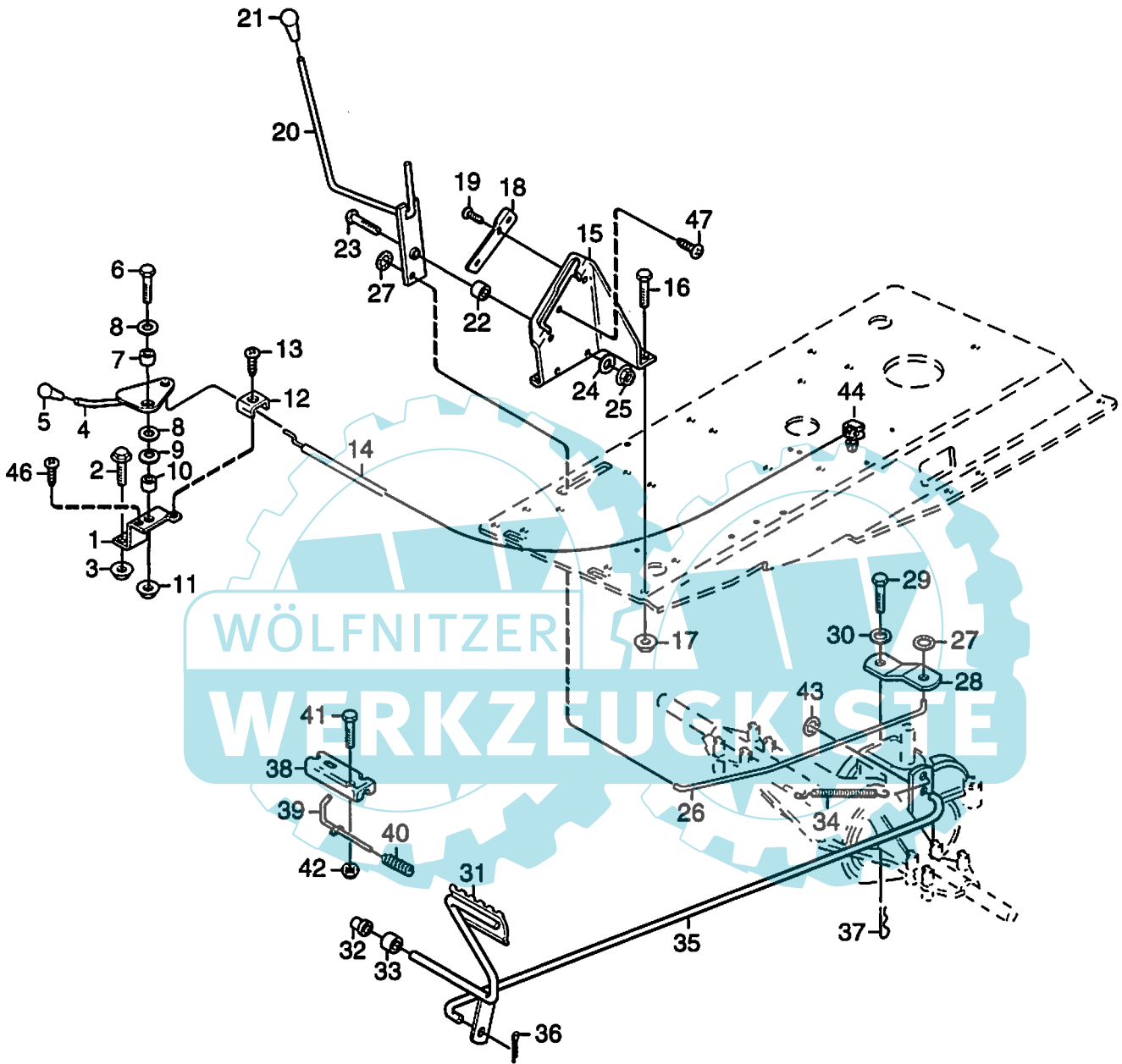




| | | | | |
|----------------------------|--------------------------------|---------------------------|----------------------------|---------------------|
| Ausgabe Issue 2000-1 | Bild Nr. Picture No B034 | VARIOLUX 65AME LENKUNG | VARIOLUX 65AME STEERING | Seite Page 44 |
|----------------------------|--------------------------------|---------------------------|----------------------------|---------------------|

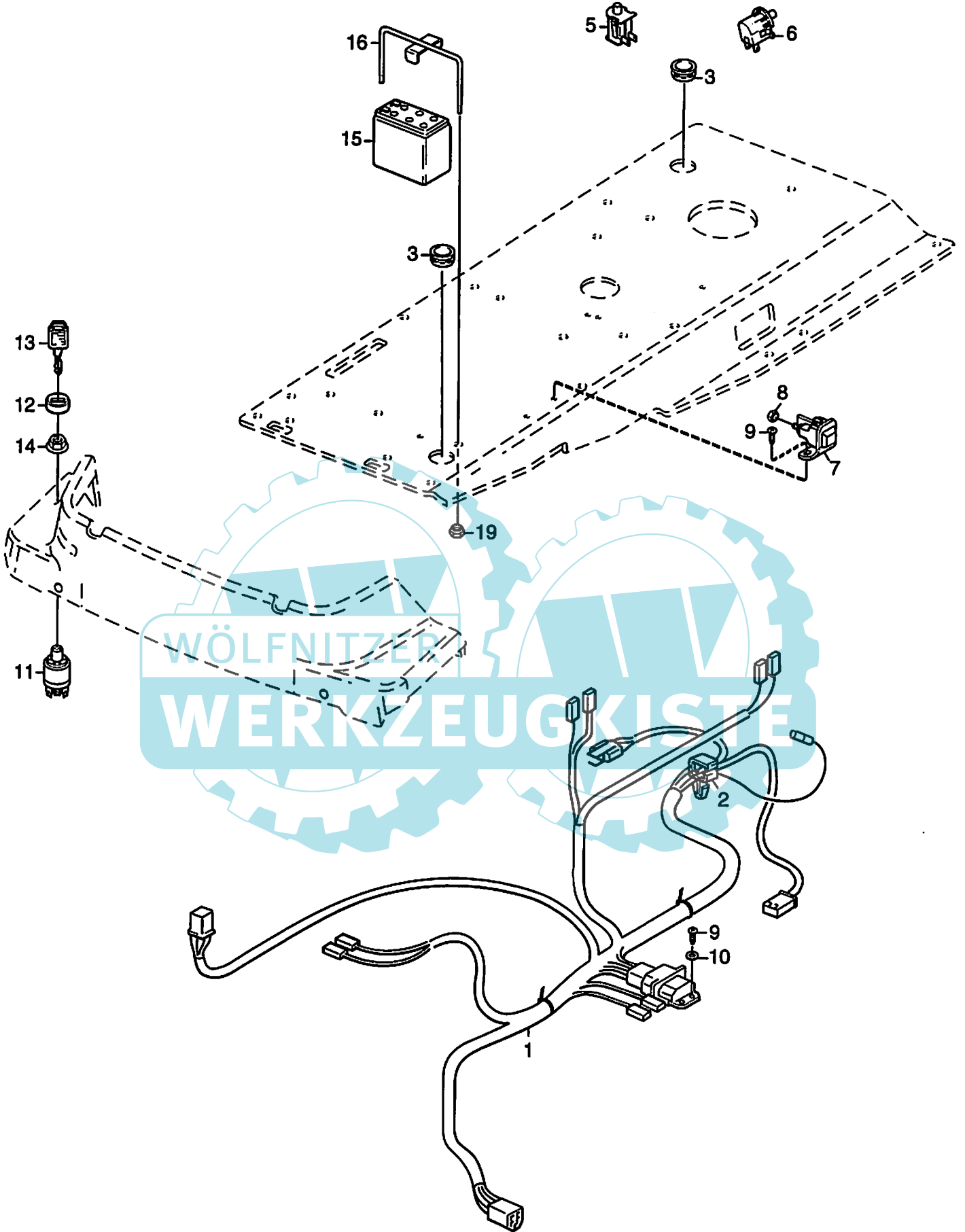
| Pos. Fig. | Anzahl/Quantity | | | | Artikel Nr. Part No | Bezeichnung | Description | Satz Kit | Anmerkung Notes |
|--------------|-----------------|--|--|--|------------------------|-------------------------|---------------------------|-------------|--------------------|
| | 2244 | | | | | | | | |
| X 1 | 1 | | | | 1134-4413-01 | Lenkconsole | Steering console | | |
| 2 | 4 | | | | 9959-0820-16 | Schraube | Screw | | |
| 3 | 4 | | | | 9739-0831-22 | Mutter | Nut | | |
| 4 | 1 | | | | 1134-3192-01 | Steuerrad | Steering wheel assy | | |
| 5 | 1 | | | | 1134-3166-01 | Steuerstangshülse | Steering rod sleeve | | |
| 6 | 1 | | | | 1134-3167-01 | Schloßbügel | Locking clip | | |
| 7 | 1 | | | | 1134-9024-01 | Lager | Bearing kit | | Satz 4 St/Kit of 4 |
| 8 | 1 | | | | 1134-3190-01 | Steuerstang | Steering column | | |
| 9 | 1 | | | | 1134-3086-01 | Zahnrad | Sprocket | | |
| 10 | 1 | | | | 9595-0258-00 | Spannstift | Locating pin | | |
| 11 | 2 | | | | 1134-3162-01 | Distanz | Spacer | | |
| 12 | 1 | | | | 9599-0080-02 | Splint | Cotter pin | | |
| 13 | 1 | | | | 1134-3080-02 | Zahnsegment | Toothed segment | | |
| 14 | 1 | | | | 1134-1565-01 | Distanz | Spacer | | |
| 15 | 1 | | | | 9997-0855-12 | Schraube | Screw | | |
| 16 | 2 | | | | 9699-0090-02 | Scheibe | Flat washer | | |
| 17 | 1 | | | | 9739-0831-22 | Mutter | Nut | | |
| 18 | 1 | | | | 1134-3247-01 | Lenkspurstange | Tie rod | | |
| 19 | 1 | | | | 1134-3113-01 | Distanz | Spacer | | |
| 20 | 1 | | | | 9997-0830-16 | Schraube | Screw | | |
| 21 | 1 | | | | 9997-0840-16 | Schraube | Screw | | |
| 22 | 2 | | | | 9747-0831-02 | Mutter | Lock nut | | |





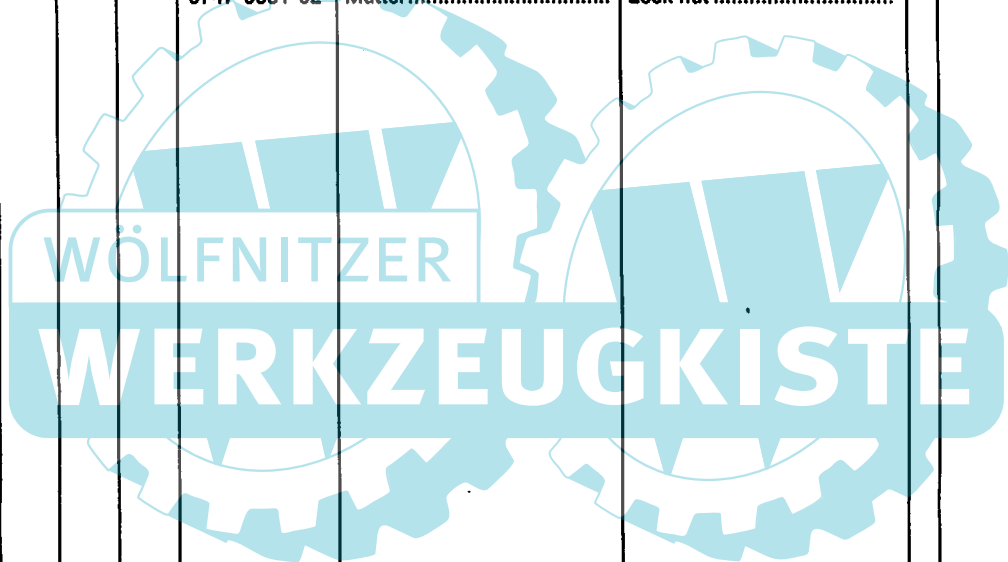
B035

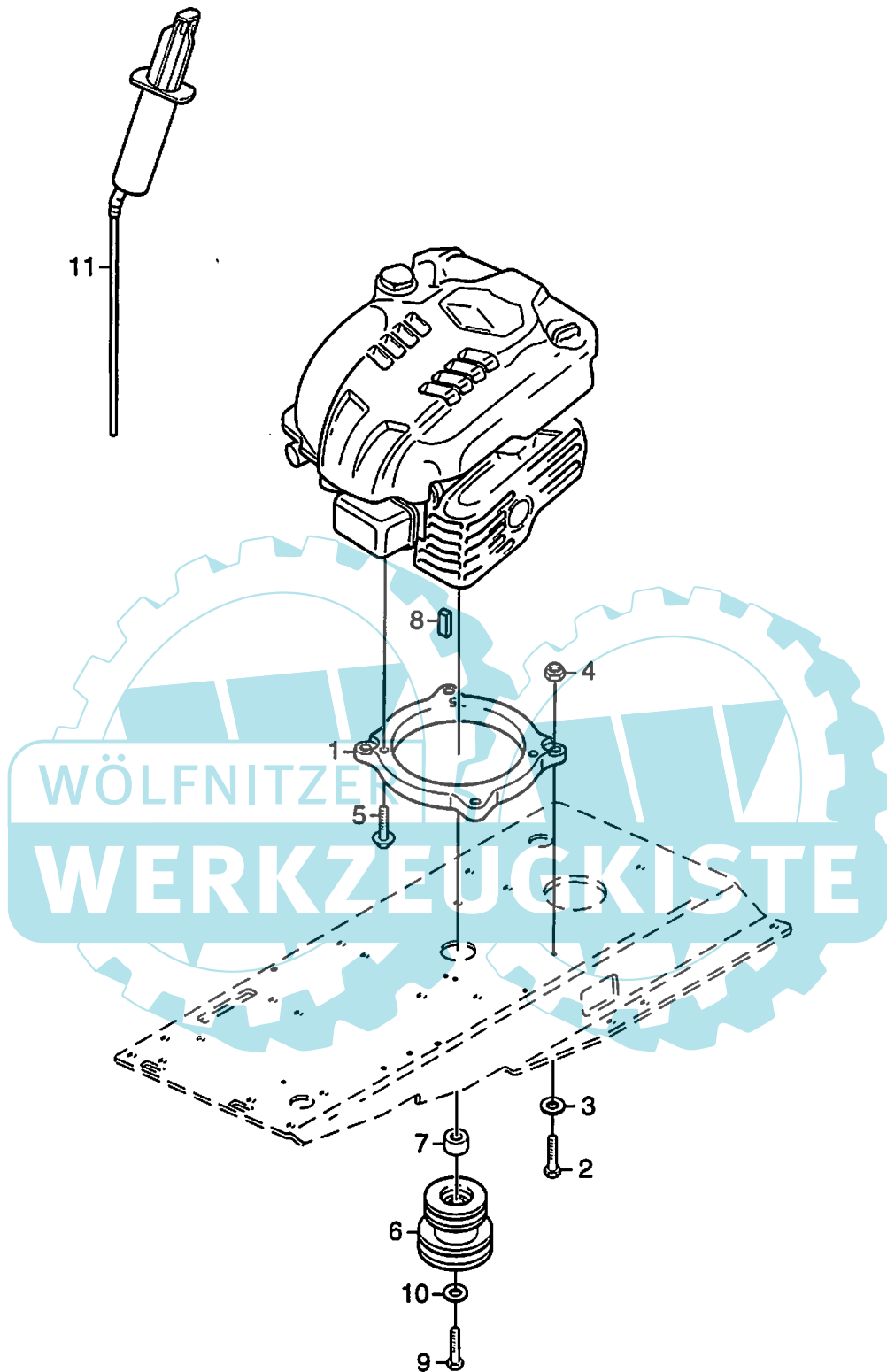
| Ausgabe Issue | | Bild Nr. Picture No | | VARIOLUX 65AME REGULIERUNGEN | VARIOLUX 65AME CONTROLS | Seite Page | | |
|------------------|-----------------|------------------------|--|---------------------------------|----------------------------|-----------------------------|-------------|--------------------|
| 2000-1 | | B035 | | | | 46 | | |
| Pos. Fig. | Anzahl/Quantity | | | Artikel Nr. Part No | Bezeichnung | Description | Satz Kit | Anmerkung Notes |
| | 2244 | | | | | | | |
| X | 1 | 1 | | 1134-4401-01 | Konsole | Throttle control brkt | | |
| | 2 | 2 | | 9959-0820-16 | Schraube | Screw | | |
| | 3 | 2 | | 9739-0831-22 | Mutter | Nut | | |
| X | 4 | 1 | | 1134-4077-01 | Gasregulierung | Throttle control | | |
| X | 5 | 1 | | 1134-4078-01 | Knopf | Knob | | |
| | 6 | 1 | | 9997-0830-16 | Schraube | Screw | | |
| X | 7 | 1 | | 1134-4447-01 | Distanz | Spacer | | |
| X | 8 | 2 | | 1134-4242-01 | Distanzscheibe | Spacer washer | | |
| | 9 | 1 | | 9694-0001-00 | Scheibe | Washer | | |
| | 10 | 1 | | 1134-3113-02 | Distanz | Spacer | | |
| | 11 | 1 | | 9739-0831-22 | Mutter | Nut | | |
| | 12 | 1 | | 1134-3240-01 | Klemme | Wire clamp | | |
| | 13 | 1 | | 9849-8013-16 | Schraube | Screw | | |
| X | 14 | 1 | | 1134-1597-10 | Gasdraht | Throttle cable | | |
| X | 15 | 1 | | 1134-4399-01 | Schaltkonsole | Gear shifter brkt | | |
| | 16 | 3 | | 9959-0820-16 | Schraube | Screw | | |
| | 17 | 3 | | 9739-0831-22 | Mutter | Nut | | |
| | 18 | 1 | | 1134-3160-01 | Schaltplatte | Gear shifter plate | | |
| | 19 | 2 | | 9849-8013-16 | Schraube | Screw | | |
| X | 20 | 1 | | 1134-4392-01 | Schalthebel | Gear shifter | | |
| | 21 | 1 | | 1134-3193-01 | Griff | Lever handle | | |
| | 22 | 1 | | 1134-1565-01 | Distanz | Spacer | | |
| | 23 | 1 | | 9997-0855-12 | Schraube | Screw | | |
| | 24 | 1 | | 9699-0056-02 | Scheibe | Flat washer | | |
| | 25 | 1 | | 9739-0831-22 | Mutter | Nut | | |
| X | 26 | 1 | | 1134-4396-01 | Schaltstange | Shift rod | | |
| | 27 | 1 | | 9675-0012-02 | Verriegelungsscheibe | Locking washer | | |
| | 28 | 1 | | 1134-3109-01 | Schaltarm | Gear shifter lever | | |
| | 29 | 1 | | 9987-5016-16 | Schraube | Screw | | |
| | 30 | 1 | | 9699-0060-02 | Scheibe | Flat washer | | |
| | 31 | 1 | | 1134-3845-01 | Pedal | Pedal | | |
| | 32 | 1 | | 1111-0158-00 | Buchse | Bushing | | |
| | 33 | 1 | | 1134-3047-01 | Distanz | Spacer | | |
| | 34 | 1 | | 4231-0013-00 | Feder | Spring | | |
| X | 35 | 1 | | 1134-4393-01 | Regulierstange | Control rod | | |
| | 36 | 1 | | 9599-0067-02 | Splint | Cotter pin | | |
| | 37 | 1 | | 9598-0002-02 | Schließnadel | Pin lock | | |
| | 38 | 1 | | 1134-3178-01 | Kunststoffgehäuse | Plastic housing | | |
| | 39 | 1 | | 1134-3179-01 | Bremsarm | Parking brake lever | | |
| | 40 | 1 | | 1134-3180-01 | Druckfeder | Compression spring | | |
| | 41 | 3 | | 9997-0520-16 | Schraube | Screw | | |
| | 42 | 3 | | 9747-0531-02 | Mutter | Nut | | |
| | 43 | 1 | | 9675-0015-02 | Verriegelungsscheibe | Lock washer | | |
| | 44 | 1 | | 1134-3132-01 | Kabelhalter | Cable holder | | |
| | 46 | 1 | | 9849-8032-16 | Schraube | Screw | | |
| | 47 | 1 | | 9849-8013-16 | Schraube | Screw | | |



B036

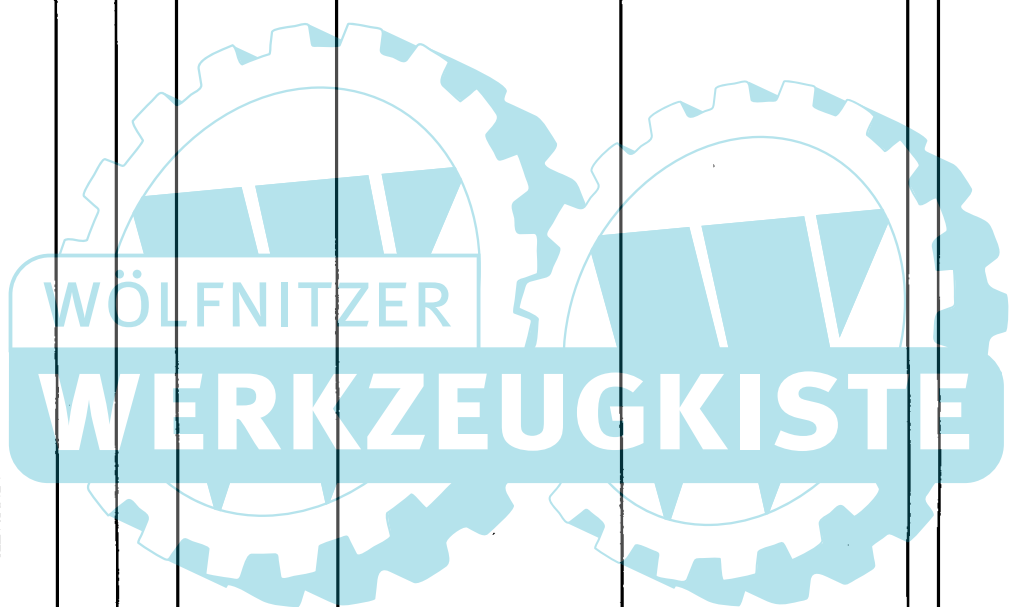
| Ausgabe Issue | | Bild Nr. Picture No | | VARIOLUX 65AME EL. AUSSTATTUNG | VARIOLUX 65AME EL. EQUIPMENT | Seite Page | | |
|------------------|-----------------|------------------------|--|-----------------------------------|---------------------------------|-----------------------|-------------|--------------------|
| 2000-1 | | B036 | | | | 48 | | |
| Pos. Fig. | Anzahl/Quantity | | | Artikel Nr. Part No | Bezeichnung | Description | Satz Kit | Anmerkung Notes |
| | 2244 | | | | | | | |
| X 1 | 1 | | | 1134-4454-01 | Kabelbündel | Harness | | |
| 2 | 5 | | | 1134-3132-01 | Kabelhalter | Cable holder | | |
| 3 | 2 | | | 1134-3203-01 | Kabelhülse | Grommet | | |
| 5 | 1 | | | 1134-3156-01 | Schalter | Seat switch | | |
| 6 | 1 | | | 1134-3156-02 | Schalter | Switch | | |
| 7 | 1 | | | 1134-2962-01 | Magnetschalter | Solenoid assy | | |
| 8 | 2 | | | 9794-5131-02 | • Mutter | • Nut | | |
| 9 | 3 | | | 9849-8013-16 | Schraube | Screw | | |
| 10 | 1 | | | 9699-0060-02 | Scheibe | Flat washer | | |
| X 11 | 1 | | | 1134-4093-01 | Zündschloß | Ignition switch | | |
| X 12 | 1 | | | 1134-4097-01 | Deckel | Cap | | |
| X 14 | 1 | | | 1134-4095-01 | Mutter | Nut | | |
| 15 | 1 | | | 1134-3897-01 | Batterie | Battery | | |
| 16 | 1 | | | 1134-3883-01 | Batteriehalter | Battery holder | | |
| 19 | 2 | | | 9747-0831-02 | Mutter | Lock nut | | |

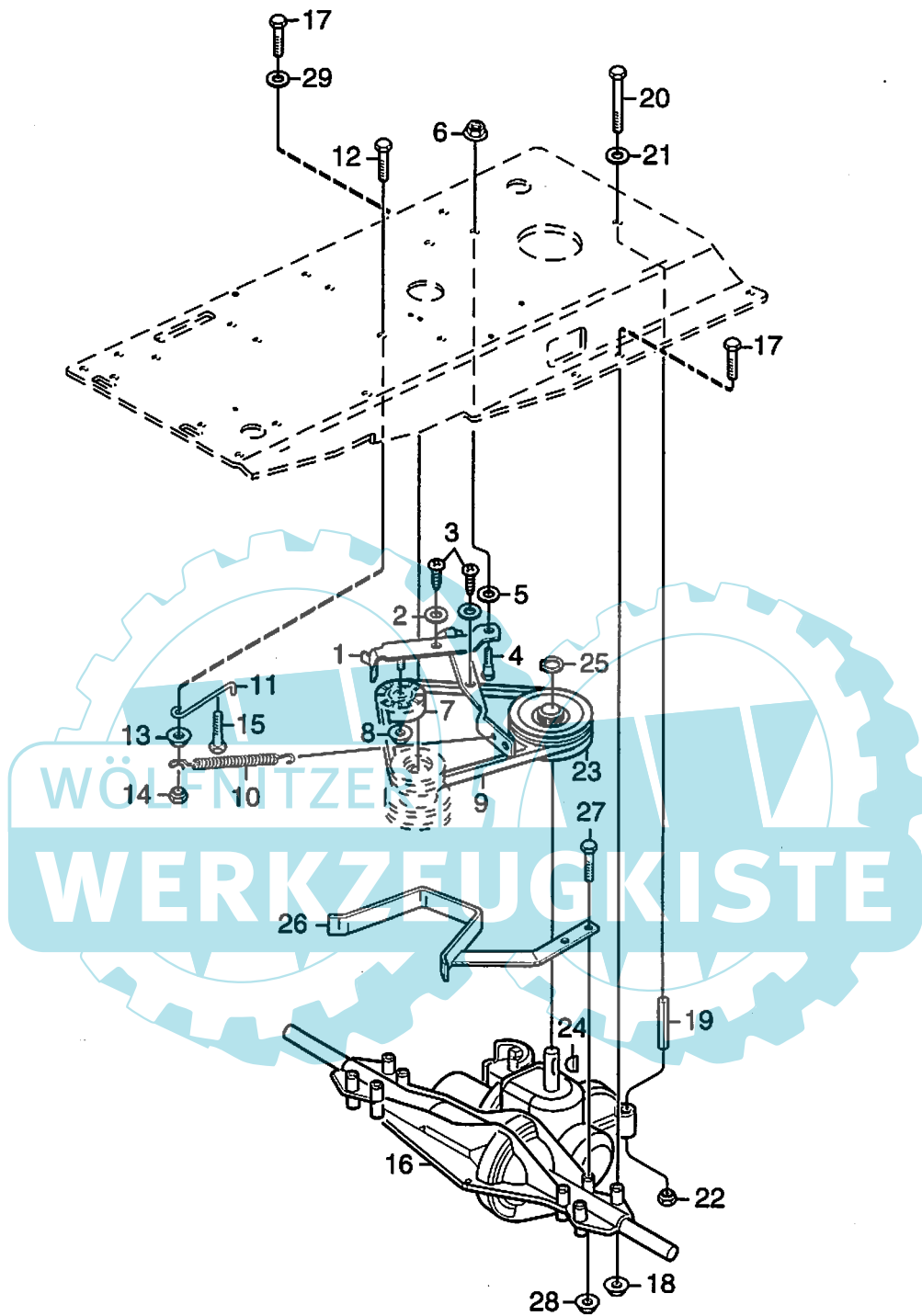




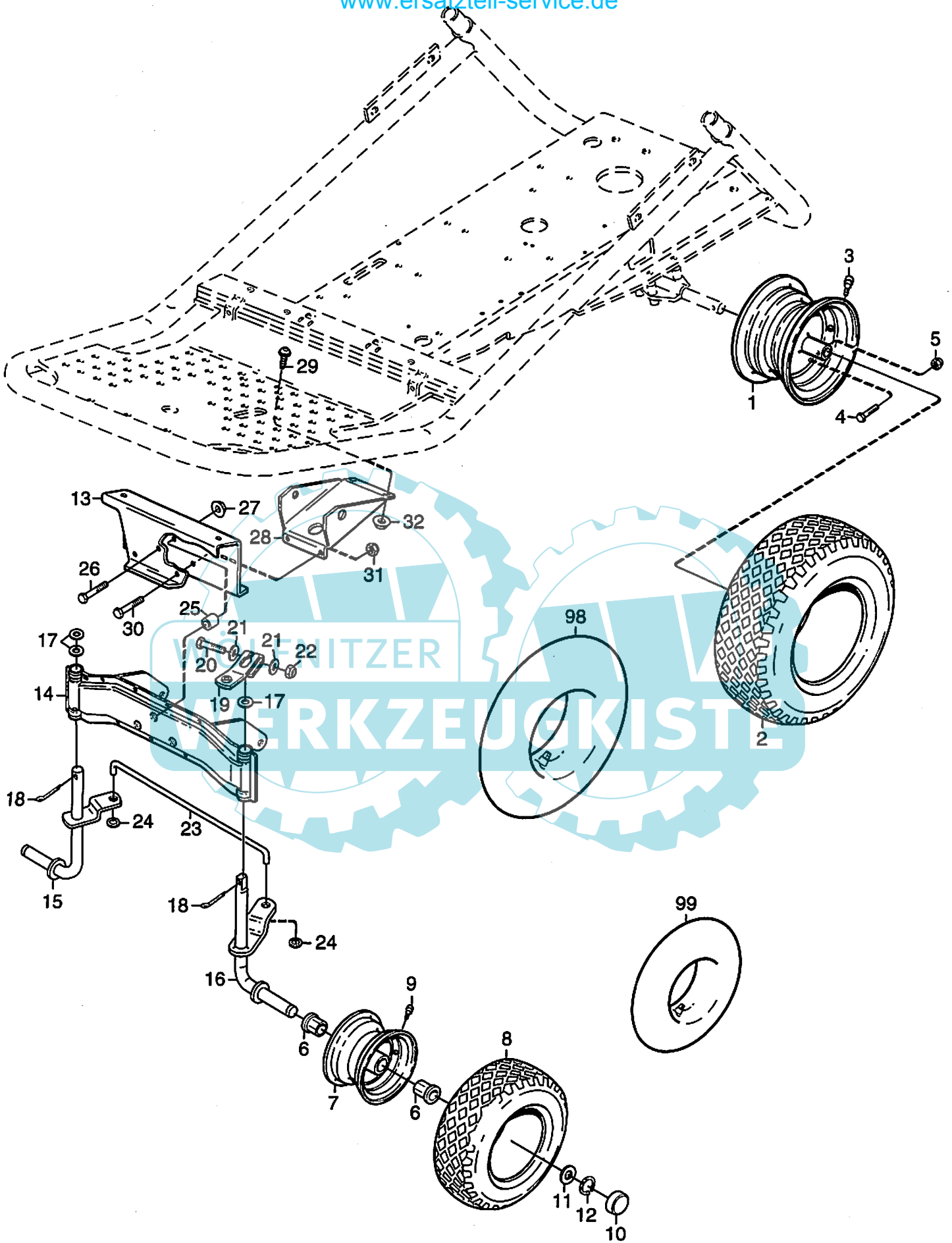
| | | | | |
|----------------------------|--------------------------------|-------------------------|--------------------------|---------------------|
| Ausgabe Issue 2000-1 | Bild Nr. Picture No B037 | VARIOLUX 65AME MOTOR | VARIOLUX 65AME ENGINE | Seite Page 50 |
|----------------------------|--------------------------------|-------------------------|--------------------------|---------------------|

| Pos. Fig. | Anzahl/Quantity | | | | Artikel Nr. Part No | Bezeichnung | Description | Satz Kit | Anmerkung Notes |
|--------------|-----------------|--|--|--|------------------------|--------------------------|---------------------|-------------|--------------------|
| | 2244 | | | | | | | | |
| 1 | 1 | | | | 1134-3870-01 | Motorplatte | Adapter plate | | |
| 2 | 4 | | | | 9997-0840-16 | Schraube | Screw | | |
| 3 | 2 | | | | 9699-0090-02 | Scheibe | Flat washer | | |
| 4 | 3 | | | | 9747-0831-02 | Mutter | Lock nut | | |
| 5 | 3 | | | | 9955-3732-12 | Schraube | Screw | | |
| 6 | 1 | | | | 1134-3651-01 | Motorriemenscheibe | Engine pulley | | |
| 7 | 1 | | | | 1134-0149-01 | Distanz | Spacer | | |
| 8 | 1 | | | | 9600-0250-00 | Keil | Key | | |
| 9 | 1 | | | | 9987-5251-12 | Schraube | Screw | | |
| 10 | 1 | | | | 9699-0030-02 | Scheibe | Flat washer | | |
| 11 | 1 | | | | 1134-3898-01 | Ölpumpe | Oil pump | | |



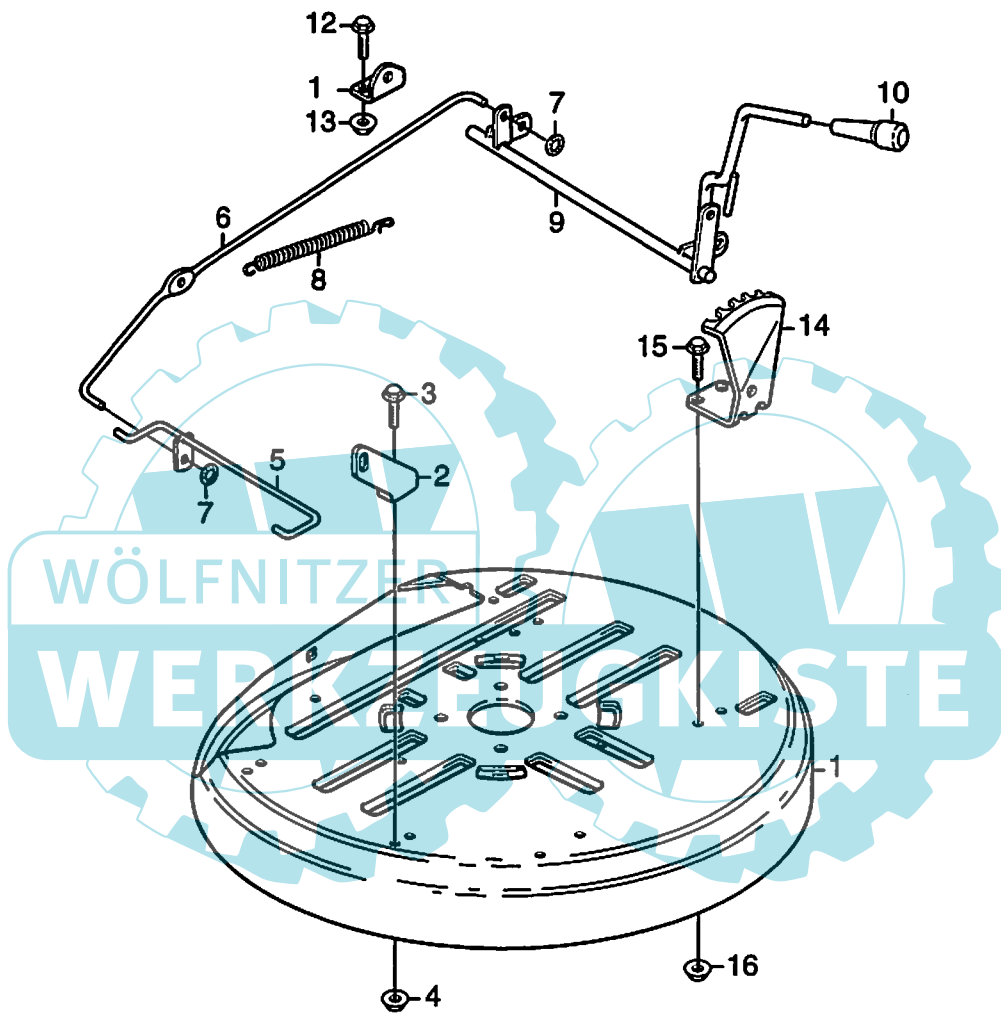


| Ausgabe Issue 2000-1 | | Bild Nr. Picture No B038 | | VARIOLUX 65AME TRANSMISSION | | VARIOLUX 65AME TRANSMISSION | | Seite Page 52 | |
|----------------------------|-----------------|--------------------------------|--|--------------------------------|-------------------------|--------------------------------|-------------|---------------------|--|
| Pos. Fig. | Anzahl/Quantity | | | Artikel Nr. Part No | Bezeichnung | Description | Satz Kit | Anmerkung Notes | |
| | 2244 | | | | | | | | |
| X 1 | 1 | | | 1134-4453-01 | Kupplungsarm | Clutch lever | | | |
| 2 | 2 | | | 1134-3144-01 | Kunststoffdistanz | Plastic spacer | | | |
| 3 | 2 | | | 9849-8013-16 | Schraube | Screw | | | |
| 4 | 1 | | | 1134-0240-00 | Ansatzbolzen | Shoulder screw | | | |
| 5 | 1 | | | 1134-3147-01 | Kunststoffscheibe | Plastic washer | | | |
| 6 | 1 | | | 9739-0831-22 | Mutter | Nut | | | |
| 7 | 1 | | | 1134-9027-01 | Spannrolle | Tension roller | | | |
| 8 | 1 | | | 9739-1031-22 | Mutter | Nut | | | |
| 9 | 1 | | | 1134-9013-01 | Keilriemen | V-belt | | = 9585-0057-00 | |
| 10 | 1 | | | 1134-1578-01 | Feder | Spring | | | |
| 11 | 1 | | | 1134-2086-01 | Riemenbügel | Belt stirrup | | | |
| 12 | 1 | | | 9997-0830-16 | Schraube | Screw | | | |
| 13 | 1 | | | 9739-0831-22 | Mutter | Nut | | | |
| 14 | 1 | | | 9747-0831-02 | Mutter | Lock nut | | | |
| 15 | 1 | | | 9849-8013-16 | Schraube | Screw | | | |
| X 16 | 1 | | | 1134-3157-04 | Getriebe | Transaxle assy | | Peerless 915-031 | |
| 17 | 4 | | | 9997-0860-16 | Schraube | Screw | | | |
| 18 | 4 | | | 9739-0831-22 | Mutter | Nut | | | |
| X 19 | 1 | | | 1134-3154-03 | Distanzrohr | Spacer tube | | | |
| 20 | 1 | | | 9997-0815-02 | Schraube | Screw | | | |
| 21 | 1 | | | 9699-0090-02 | Scheibe | Flat washer | | | |
| 22 | 1 | | | 9747-0831-02 | Mutter | Lock nut | | | |
| 23 | 1 | | | 1134-3182-01 | Riemenscheibe | Belt pulley | | | |
| 24 | 1 | | | 9600-0050-00 | Keil | Key | | | |
| 25 | 1 | | | 9650-0016-04 | Seegersicherung | Lock ring | | | |
| X 26 | 1 | | | 1134-4406-01 | Riemenführung | Belt guide | | | |
| 27 | 2 | | | 9997-0860-16 | Schraube | Screw | | | |
| 28 | 2 | | | 9739-0831-22 | Mutter | Nut | | | |
| 29 | 2 | | | 9699-0090-02 | Scheibe | Flat washer | | | |

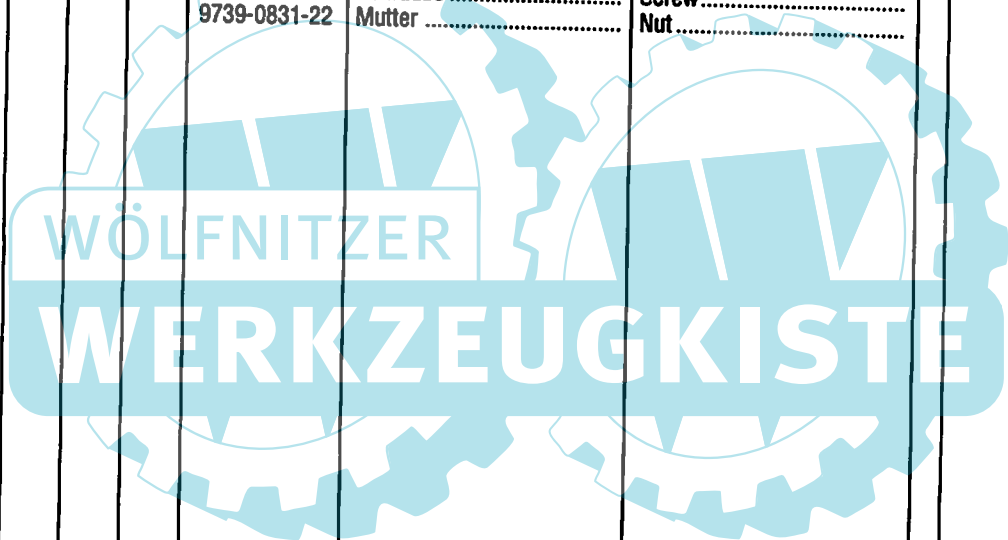


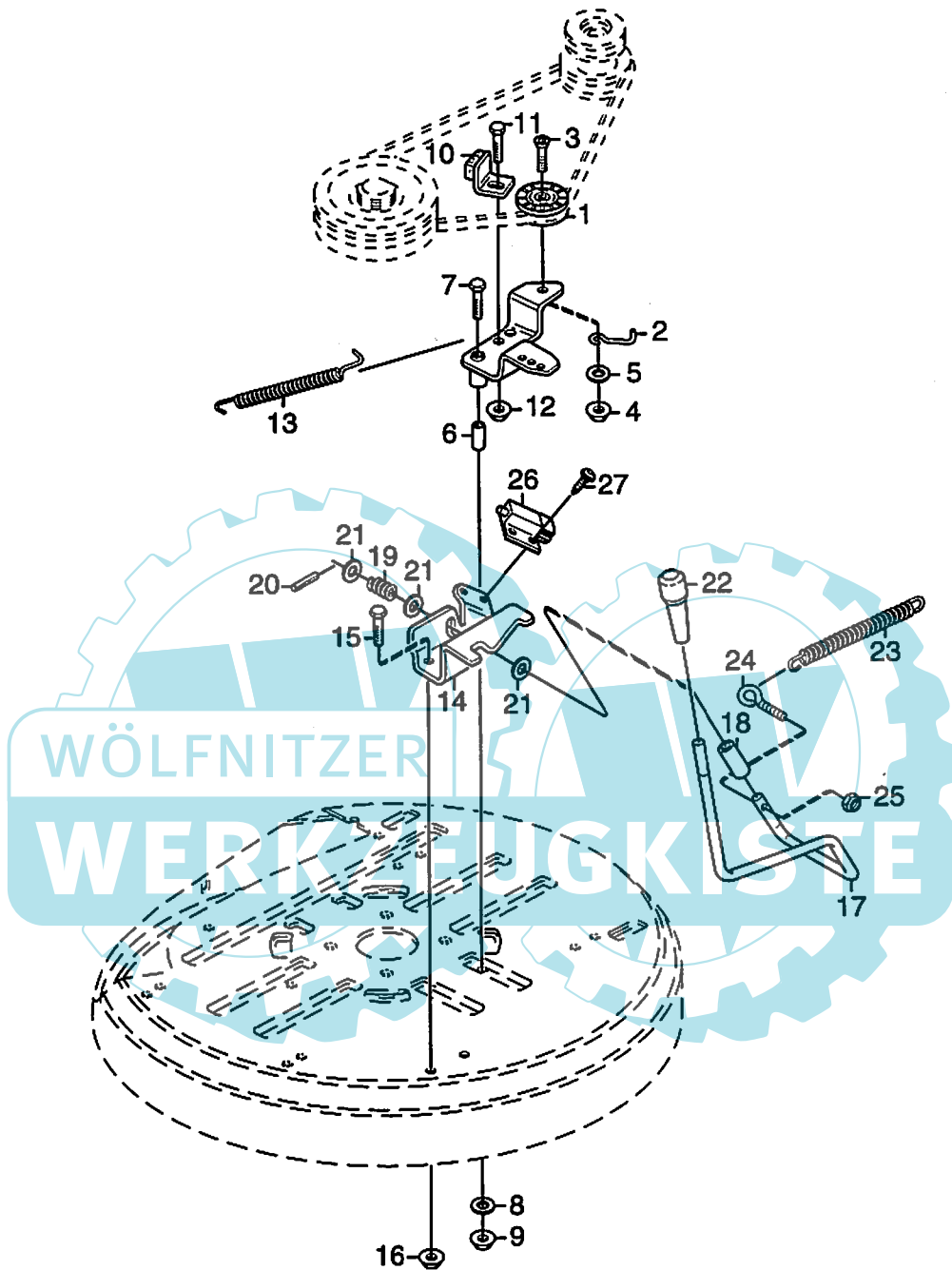
B039

| Ausgabe Issue 2000-1 | | Bild Nr. Picture No B039 | | VARIOLUX 65AME RÄDER | | VARIOLUX 65AME WHEELS | | Seite Page 54 | |
|----------------------------|-----------------|--------------------------------|--|-------------------------|---------------------------|--------------------------|-------------|---------------------|--|
| Pos. Fig. | Anzahl/Quantity | | | Artikel Nr. Part No | Bezeichnung | Description | Satz Kit | Anmerkung Notes | |
| | 2244 | | | | | | | | |
| | 1 | 2 | | 1134-3745-02 | Felge..... | Rim..... | | | |
| | 2 | 2 | | 9545-0121-00 | Reifen..... | Tyre..... | | 5.30/4.50 - 6 | |
| | 3 | 2 | | 9545-0500-00 | Ventil kompl. | Valve..... | | | |
| | 4 | 2 | | 1134-3170-01 | Bolzen..... | Boit..... | | | |
| | 5 | 2 | | 9747-0831-02 | Mutter..... | Lock nut..... | | | |
| X | 6 | 4 | | 1134-0068-01 | Lager..... | Bearing..... | | | |
| | 7 | 2 | | 1134-4343-01 | Felge..... | Rim..... | | | |
| | 8 | 2 | | 9545-0114-00 | Reifen..... | Tyre..... | | 11 x 4.00 - 4 | |
| X | 9 | 2 | | 9545-0500-00 | Ventil kompl. | Valve..... | | | |
| | 10 | 2 | | 1134-4344-01 | Nabenkapsel..... | Hub cap..... | | | |
| | 11 | 2 | | 1134-0341-01 | Scheibe..... | Washer..... | | | |
| | 12 | 2 | | 9650-0020-04 | Seegersicherung..... | Circlip..... | | | |
| X | 13 | 1 | | 1134-3107-01 | Vorderachshalterung..... | Front axle bracket..... | | | |
| X | 14 | 1 | | 1134-4390-01 | Vorderachse..... | Front axle..... | | | |
| X | 15 | 1 | | 1134-4418-01 | Spindel-rechts..... | Spindle-R.H..... | | | |
| X | 16 | 1 | | 1134-4420-01 | Spindel-links..... | Spindle-L.H..... | | | |
| | 17 | 3 | | 1134-0341-01 | Scheibe..... | Washer..... | | | |
| | 18 | 2 | | 9599-0080-02 | Splint..... | Cotter pin..... | | | |
| | 19 | 1 | | 1134-3115-01 | Lenkarm..... | Steering arm..... | | | |
| | 20 | 1 | | 9997-0845-12 | Schraube..... | Screw..... | | | |
| | 21 | 2 | | 9699-0090-02 | Scheibe..... | Flat washer..... | | | |
| | 22 | 1 | | 9747-0831-02 | Mutter..... | Lock nut..... | | | |
| | 23 | 1 | | 1134-2096-02 | Lenkspurstange..... | Tie rod..... | | | |
| | 24 | 2 | | 9675-0015-02 | Verriegelungsscheibe..... | Lock washer..... | | | |
| | 25 | 1 | | 1134-3155-01 | Distanzrohr..... | Spacer tube..... | | | |
| | 26 | 1 | | 9997-0855-12 | Schraube..... | Screw..... | | | |
| | 27 | 1 | | 9739-0831-22 | Mutter..... | Nut..... | | | |
| X | 28 | 1 | | 1134-4389-01 | Konsole-vordere..... | Bracket-front..... | | | |
| | 29 | 2 | | 9898-0820-16 | Schraube..... | Screw..... | | | |
| | 30 | 2 | | 9997-0855-12 | Schraube..... | Screw..... | | | |
| | 31 | 2 | | 9747-0831-02 | Mutter..... | Lock nut..... | | | |
| | 32 | 2 | | 9739-0831-22 | Mutter..... | Nut..... | | | |
| | 98 | | | 9545-0210-00 | Innenschlauch..... | Inner tube..... | | Nur Ersatzteil | |
| | 99 | | | 9545-0201-00 | Innenschlauch..... | Inner tube..... | | Nur Ersatzteil | |

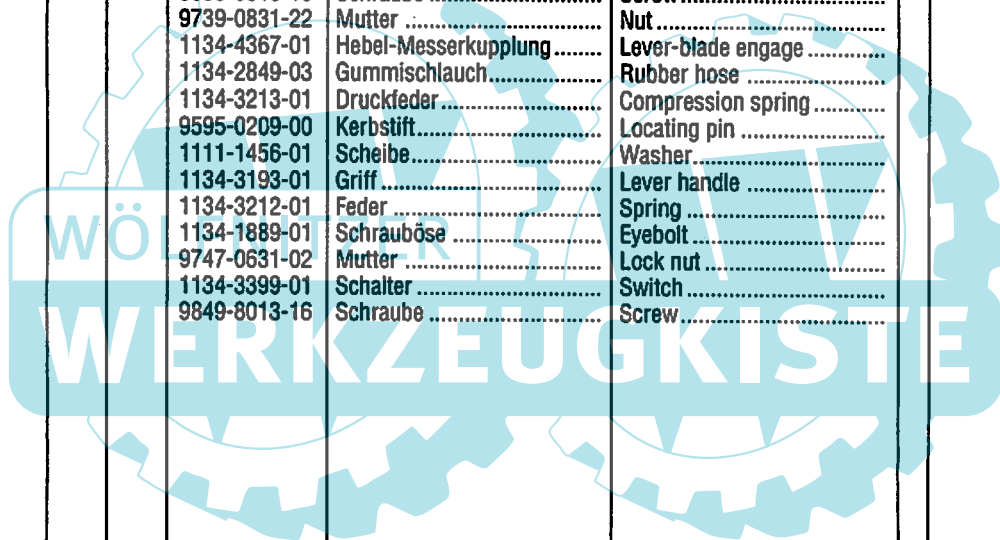


| Ausgabe Issue | | Bild Nr. Picture No | | VARIOLUX 65AME MÄHWERK REGULIERUNG | | VARIOLUX 65AME MOWER DECK CONTROLS | | Seite Page | |
|------------------|-----------------|------------------------|--|--|----------------------------|--|-------------|--------------------|--|
| 2000-1 | | B040 | | | | | | 56 | |
| Pos. Fig. | Anzahl/Quantity | | | Artikel Nr. Part No | Bezeichnung | Description | Satz Kit | Anmerkung Notes | |
| | 2244 | | | | | | | | |
| X | 1 | 1 | | 1134-4391-01 | Gehäuse-Mähwerk..... | Casing-mower deck | | | |
| | 2 | 2 | | 1134-3187-01 | Winkelhalterung..... | Angle bracket | | | |
| | 3 | 4 | | 9959-0816-16 | Schraube | Screw | | | |
| | 4 | 4 | | 9739-0831-22 | Mutter | Nut | | | |
| | 5 | 1 | | 1134-3189-01 | Hebeachse | Lift shaft | | | |
| X | 6 | 1 | | 1134-4402-01 | Hebestange..... | Lift rod | | | |
| | 7 | 2 | | 9675-0015-02 | Verriegelungsscheibe | Lock washer | | | |
| | 8 | 1 | | 1111-1842-01 | Feder | Spring | | | |
| X | 9 | 1 | | 1134-4398-01 | Hebearm-hintere..... | Lift lever-rear | | | |
| | 10 | 1 | | 1134-3193-01 | Griff | Lever handle | | | |
| | 11 | 1 | | 1134-3127-01 | Halterung | Angle bracket | | | |
| | 12 | 2 | | 9959-0816-16 | Schraube | Screw | | | |
| | 13 | 2 | | 9739-0831-22 | Mutter | Nut | | | |
| X | 14 | 1 | | 1134-4395-01 | Höheneinstellsegment | Height adj.quadrant | | | |
| | 15 | 2 | | 9959-0816-16 | Schraube | Screw | | | |
| | 16 | 2 | | 9739-0831-22 | Mutter | Nut | | | |



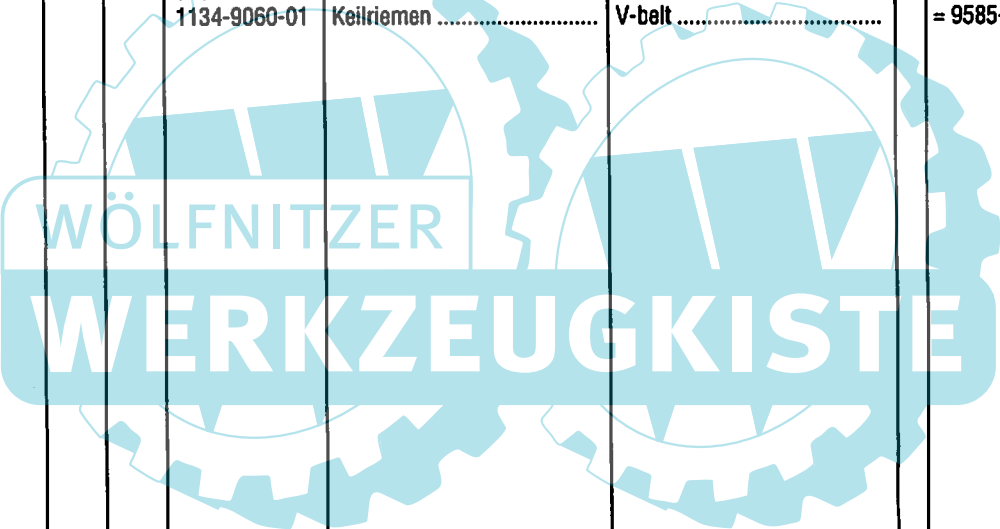


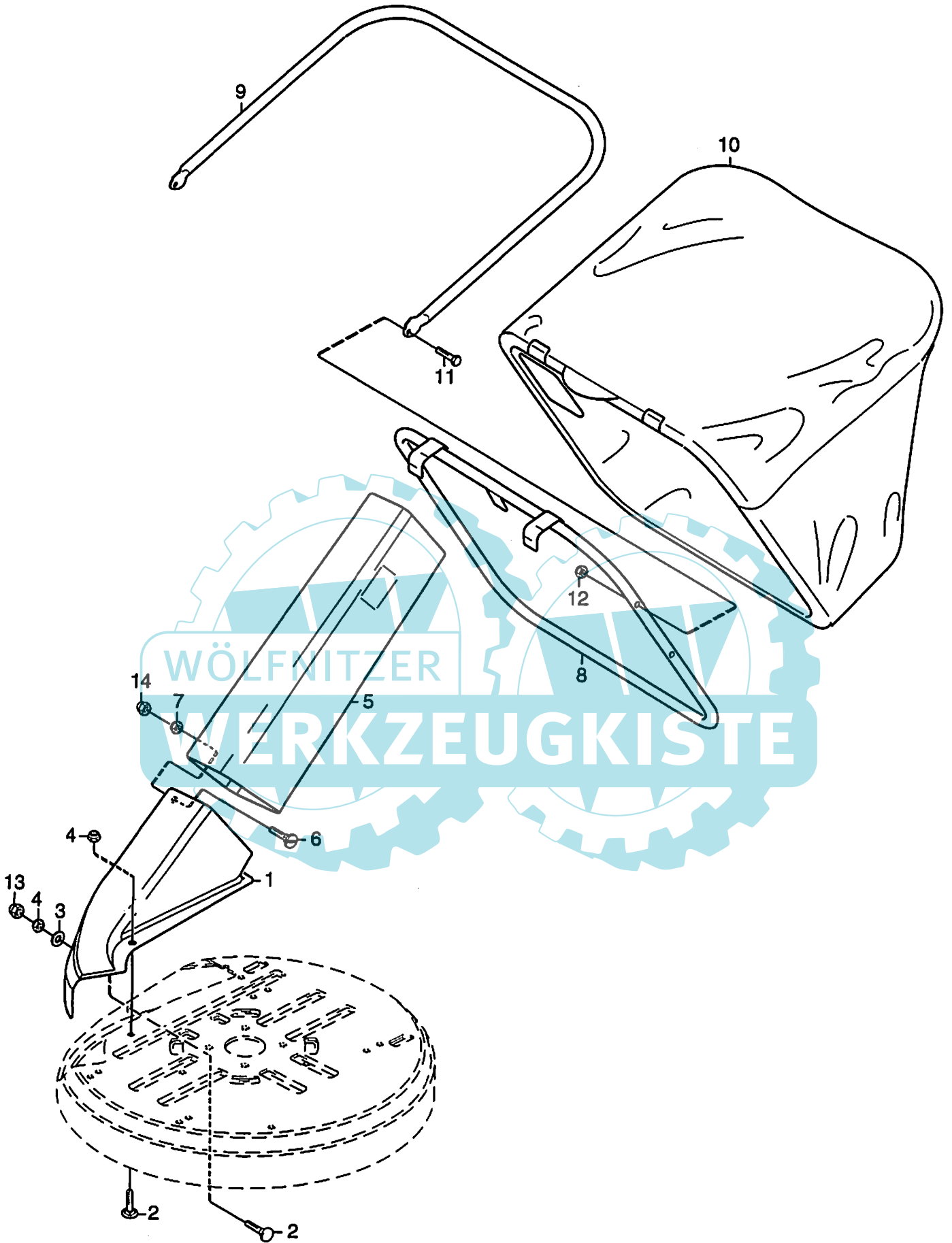
| Ausgabe Issue 2000-1 | | Bild Nr. Picture No B041 | | VARIOLUX 65AME MÄHWERK TRANSMISSION | | VARIOLUX 65AME MOWER DECK TRANSMISSION | | Seite Page 58 | |
|----------------------------|-----------------|--------------------------------|--|---|----------------------------|--|-------------|---------------------|--|
| Pos. Fig. | Anzahl/Quantity | | | Artikel Nr. Part No | Bezeichnung | Description | Satz Kit | Anmerkung Notes | |
| | 2244 | | | | | | | | |
| 1 | 1 | | | 1134-9027-01 | Spannrolle | Tension roller | | | |
| 2 | 1 | | | 1134-1795-02 | Riemenbügel | Belt guide | | | |
| 3 | 1 | | | 9924-0840-19 | Schraube | Screw | | | |
| 4 | 1 | | | 9739-0831-22 | Mutter | Nut | | | |
| 5 | 1 | | | 9699-0062-02 | Scheibe | Flat washer | | | |
| 6 | 1 | | | 1134-1565-01 | Distanz | Spacer | | | |
| 7 | 1 | | | 9997-0845-12 | Schraube | Screw | | | |
| 8 | 1 | | | 9699-0090-02 | Scheibe | Flat washer | | | |
| 9 | 1 | | | 9739-0831-22 | Mutter | Nut | | | |
| 10 | 1 | | | 1134-1999-01 | Bremsklotz | Brake pad | | | |
| 11 | 1 | | | 9959-0816-16 | Schraube | Screw | | | |
| 12 | 1 | | | 9739-0831-22 | Mutter | Nut | | | |
| 13 | 1 | | | 1134-3211-01 | Feder | Spring | | | |
| 14 | 1 | | | 1134-3560-01 | Halterung | Lever bracket | | | |
| 15 | 2 | | | 9959-0816-16 | Schraube | Screw | | | |
| 16 | 2 | | | 9739-0831-22 | Mutter | Nut | | | |
| 17 | 1 | | | 1134-4367-01 | Hebel-Messerkupplung | Lever-blade engage | | | |
| 18 | 1 | | | 1134-2849-03 | Gummischlauch | Rubber hose | | | |
| 19 | 1 | | | 1134-3213-01 | Druckfeder | Compression spring | | | |
| 20 | 1 | | | 9595-0209-00 | Kerbstift | Locating pin | | | |
| 21 | 3 | | | 1111-1456-01 | Scheibe | Washer | | | |
| 22 | 1 | | | 1134-3193-01 | Griff | Lever handle | | | |
| 23 | 1 | | | 1134-3212-01 | Feder | Spring | | | |
| 24 | 1 | | | 1134-1889-01 | Schrauböse | Eyebolt | | | |
| 25 | 1 | | | 9747-0631-02 | Mutter | Lock nut | | | |
| 26 | 1 | | | 1134-3399-01 | Schalter | Switch | | | |
| 27 | 2 | | | 9849-8013-16 | Schraube | Screw | | | |





| Ausgabe Issue | | Bild Nr. Picture No | | VARIOLUX 65AME MÄHWERK MESSER | | VARIOLUX 65AME MOWER DECK BLADE | | Seite Page | |
|------------------|-----------------|------------------------|--|-------------------------------------|-----------------------------|---------------------------------------|-------------|--------------------|--|
| 2000-1 | | B042 | | | | | | 60 | |
| Pos. Fig. | Anzahl/Quantity | | | Artikel Nr. Part No | Bezeichnung | Description | Satz Kit | Anmerkung Notes | |
| | 2244 | | | | | | | | |
| 1 | 1 | | | 1134-2147-01 | Lagerbuchse kompl. | Bearing box assy | | | |
| 2 | 1 | | | 1134-2083-01 | • Messerwelle..... | • Blade shaft | | | |
| 3 | 1 | | | 9549-0014-00 | • Kugellager..... | • Ball bearing | | | |
| 4 | 1 | | | 9549-0027-00 | • Kugellager..... | • Ball bearing | | | |
| 5 | 4 | | | 9959-0820-16 | Schraube | Screw | | | |
| 6 | 4 | | | 9739-0831-22 | Mutter | Nut | | | |
| 7 | 1 | | | 1134-3186-01 | Riemenscheibe | Belt pulley | | | |
| 8 | 1 | | | 1134-0323-00 | Keil | Key | | | |
| 9 | 1 | | | 9991-1024-19 | Schraube | Screw | | | |
| 10 | 1 | | | 9699-0030-02 | Scheibe..... | Flat washer | | | |
| X 11 | 1 | | | 1134-9701-01 | Messerhalterung Kompl | Blade holder assy | | | |
| 12 | 1 | | | 1134-3222-01 | Messer mit Flügeln | Blade w.fan wings | | | |
| 13 | 1 | | | 1134-0323-00 | Keil | Key | | | |
| 14 | 1 | | | 9991-1024-19 | Schraube | Screw | | | |
| 15 | 2 | | | 9959-0830-16 | Schraube | Screw | | | |
| 16 | 2 | | | 9739-0831-22 | Mutter | Nut | | | |
| X 17 | 1 | | | 1134-9060-01 | Keilriemen | V-belt | | = 9585-0094-01 | |





B043

| Ausgabe Issue | | Bild Nr. Picture No | | VARIOLUX 65AME GRASSFÄNGER | VARIOLUX 65AME GRASS CATCHER | Seite Page | | |
|------------------|-----------------|------------------------|--|-------------------------------|---------------------------------|---------------------------|-------------|--------------------|
| 2000-1 | | B043 | | | | 62 | | |
| Pos. Fig. | Anzahl/Quantity | | | Artikel Nr. Part No | Bezeichnung | Description | Satz Kit | Anmerkung Notes |
| | 2244 | | | | | | | |
| X | 1 | 1 | | 1134-4354-01 | Grastrichter | Grass funnel | | |
| | 2 | 3 | | 9898-0820-16 | Schraube | Screw | | |
| | 3 | 2 | | 9699-0090-02 | Scheibe | Flat washer | | |
| | 4 | 3 | | 9747-0831-02 | Mutter | Lock nut | | |
| X | 5 | 1 | | 1134-4355-01 | Grasauswurfrohr | Grass ejection tube | | |
| | 6 | 1 | | 1134-3301-01 | Schraube | Carriage bolt | | |
| | 7 | 1 | | 9747-0631-02 | Mutter | Lock nut | | |
| X | 8 | 1 | | 1134-4404-01 | Rahmen-Grasfangsack | Frame-grassbag | | |
| X | 9 | 1 | | 1134-4369-01 | Sackrohr-obere | Bag tube-top | | |
| X | 10 | 1 | | 1134-4421-01 | Grasfangsack | Grassbag | | |
| | 11 | 2 | | 9997-0630-12 | Schraube | Screw | | |
| | 12 | 2 | | 9747-0631-02 | Mutter | Lock nut | | |
| | 13 | 2 | | 9403-0113-00 | Mutterhut | Nut cap | M8 | |
| | 14 | 1 | | 9403-0113-01 | Mutterhut | Nut cap | M6 | |

